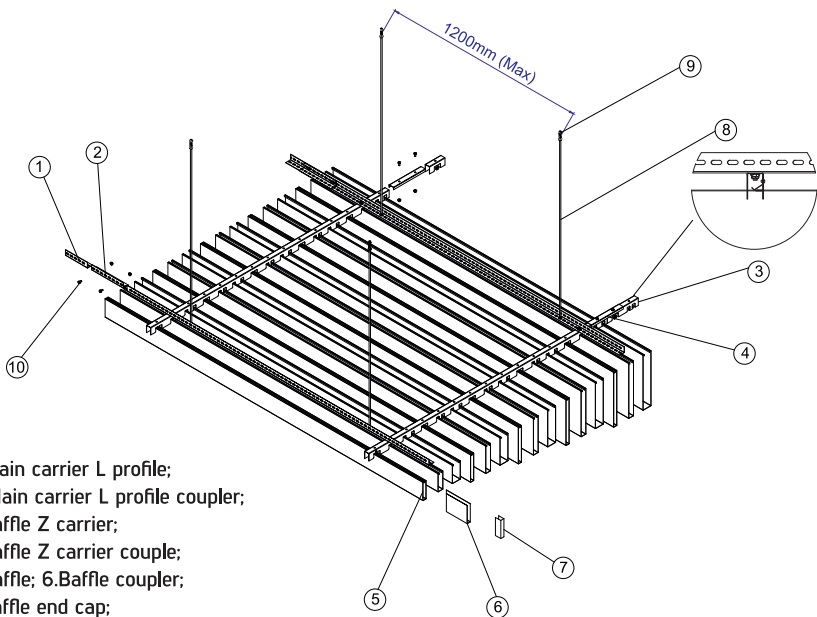
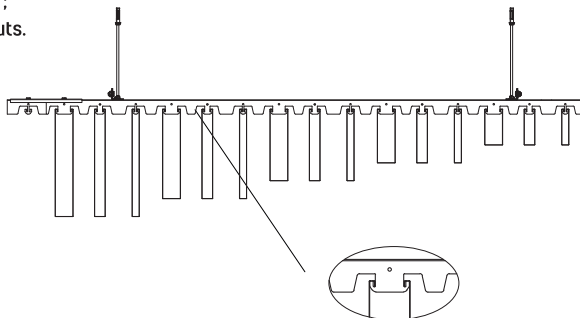


## BAFFLE CEILING

- Being produced by bended galvanised steel or aluminium sheets in 20, 30, 40 ve 50 mm width, between 75–300 mm height and up to 4 meters length. It is easy to install and uninstall with spring suspension system.
- If there is a specific acoustic requirement, profiles can be perforated 2,5 mm or 1,8 mm, acoustic fleece and/or glasswool material can be placed inside profile.
- Baffle profiles can be installed between 75–300 mm center to center distances.
- Several electro static powder coated colors and wood effects are available.

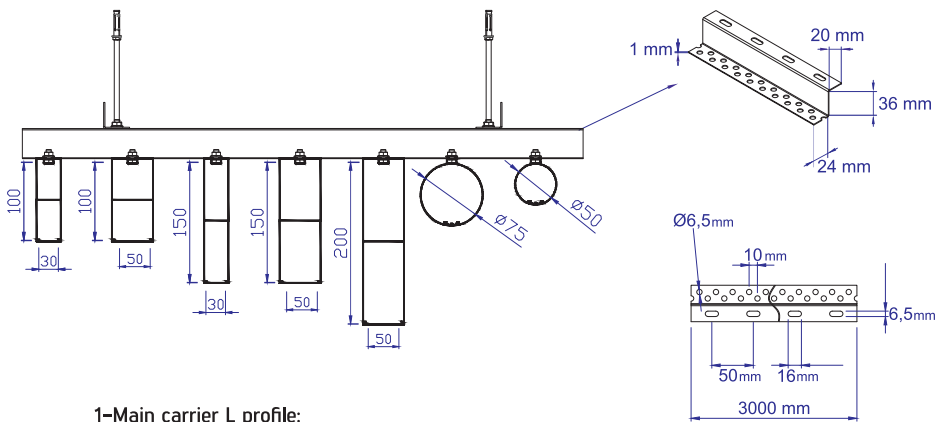


1. Main carrier L profile;
2. Main carrier L profile coupler;
3. Baffle Z carrier;
4. Baffle Z carrier couple;
5. Baffle; 6. Baffle coupler;
7. Baffle end cap;
8. Hanger rod;
9. Steel anchor;
10. Bolts and nuts.

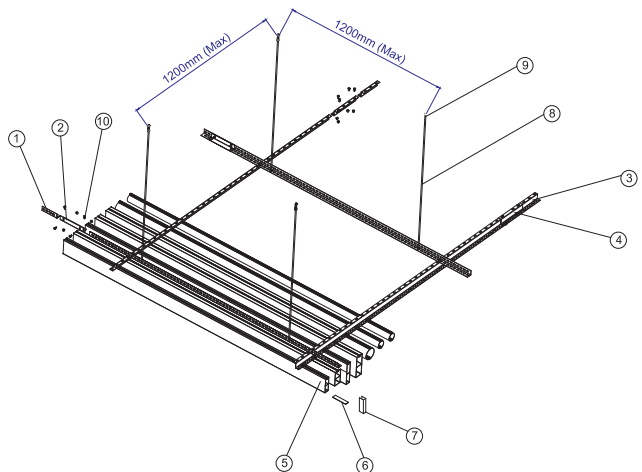


## EXTRUDED Baffle SUSPENDED CEILINGS

- Being produced by 30x100mm, 50x100mm, 30x150mm, 50x150mm rectangular, 50 mm or 75 mm tube shaped, up to 6 meter length aluminium extruded profiles.
- Installation with Z carrier profiles gives a chance for installation at any desired center to center distance, by the holes on profile at every centimeter.
- System is being installed by steel rods, bolts and nuts.
- Several electro static powder coated colors and transfer paint wood effects are available .

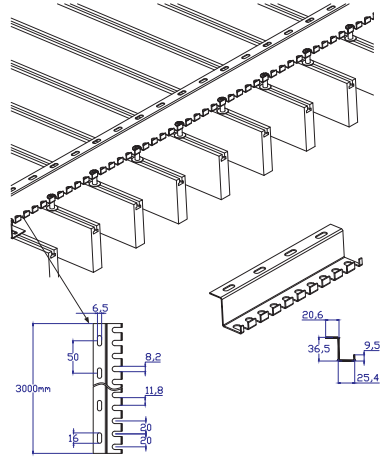
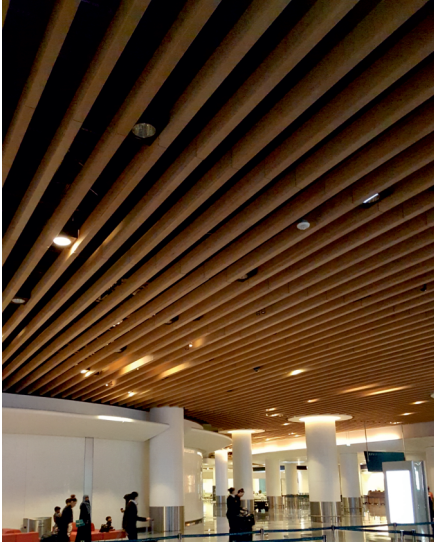


- 1-Main carrier L profile;
- 2-Main carrier L profile coupler;
- 3-Baffle Z carrier;
- 4-Baffle Z carrier coupler;
- 5-Baffle;
- 6-Baffle coupler;
- 7-Baffle end cap;
- 8-Hanger rod;
- 9-Steel anchor;
- 10-Bolts and nuts.



**WOOD OR MDF BAFFLE**

According to visual or acoustic requirements, wood or MDF baffle profiles can be used. Installation is easy with Z carrier profiles and bolts on baffles.

**V Tipi Tek Yüzeyle Baffle Tavan**